

Service
Service
Service



Service Manual



CONTENTS

Circuit diagram - AMP Board
Key Board
LCD Board
WMA Board

PCB Layout diagram - AMP Board
Key Board
LCD Board
WMA Board

Service parts list

© Copyright 2006 Philips Consumer Electronics B.V. Eindhoven, The Netherlands
All rights reserved. No part of this publication may be reproduced, stored in a retrieval system or transmitted, in any form or by any means, electronic, mechanical, photocopying, or otherwise without the prior permission of Philips.

Published by LX 0702 Service Audio Subject to modification

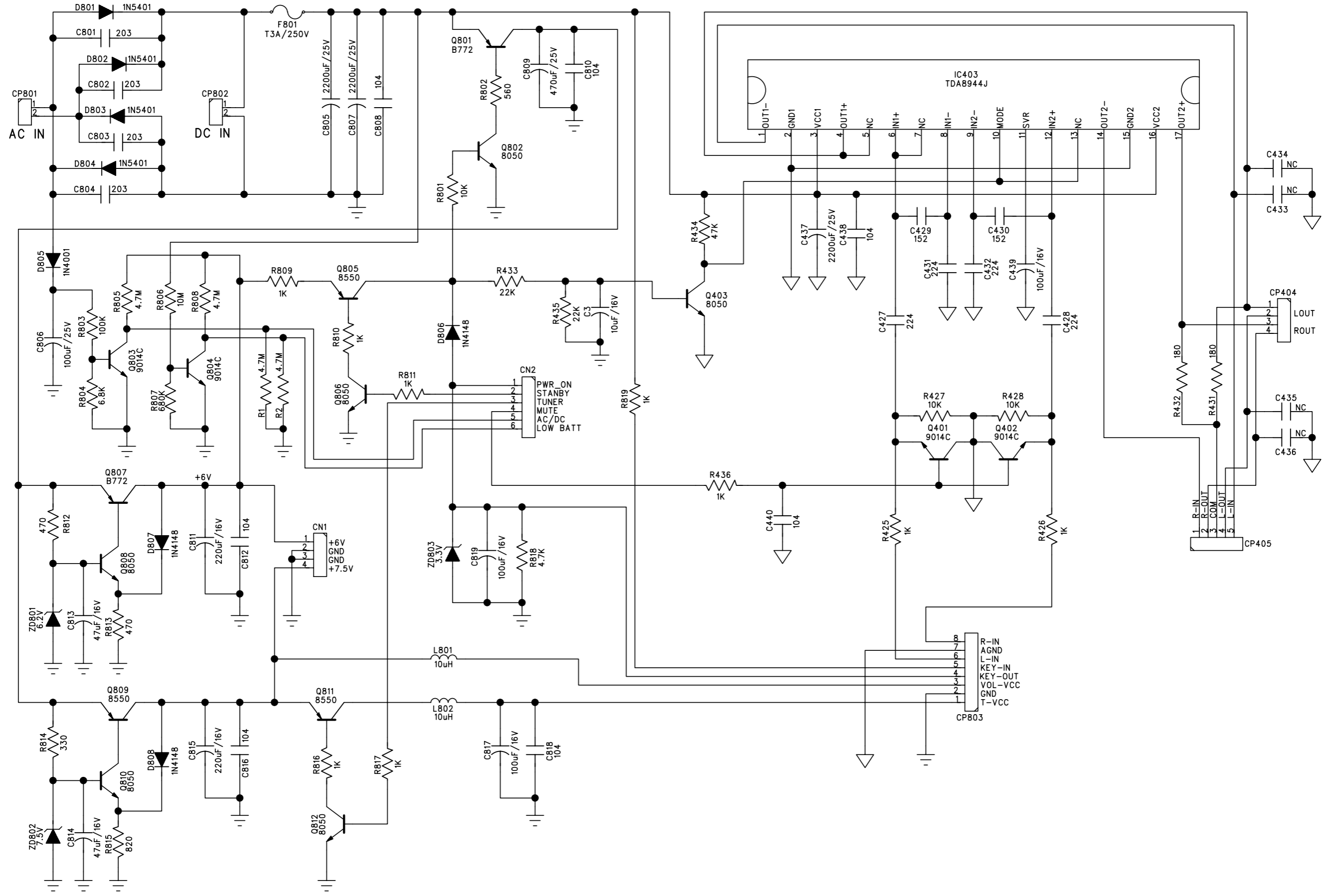
© 3141 785 31540

Version 1.0

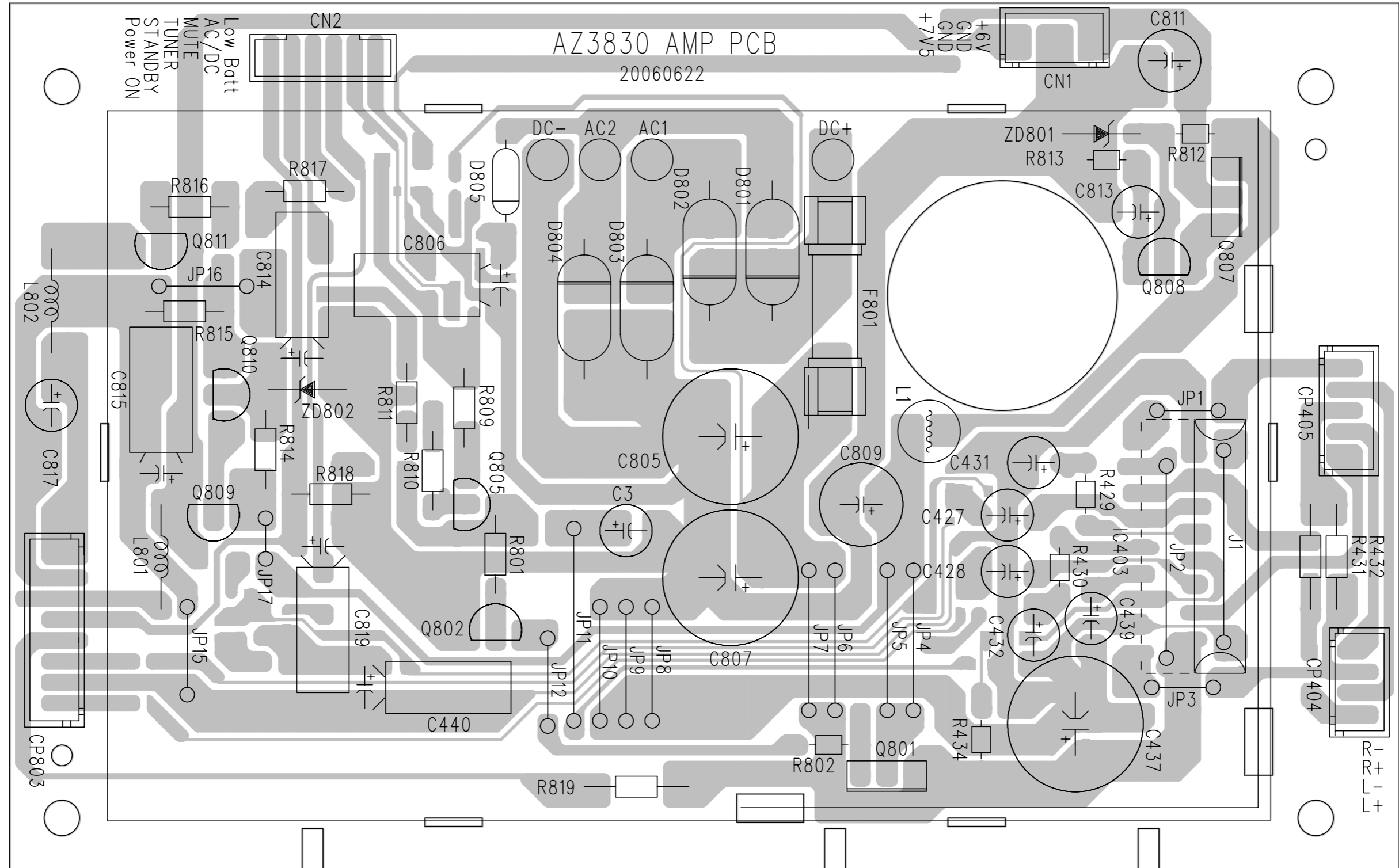


PHILIPS

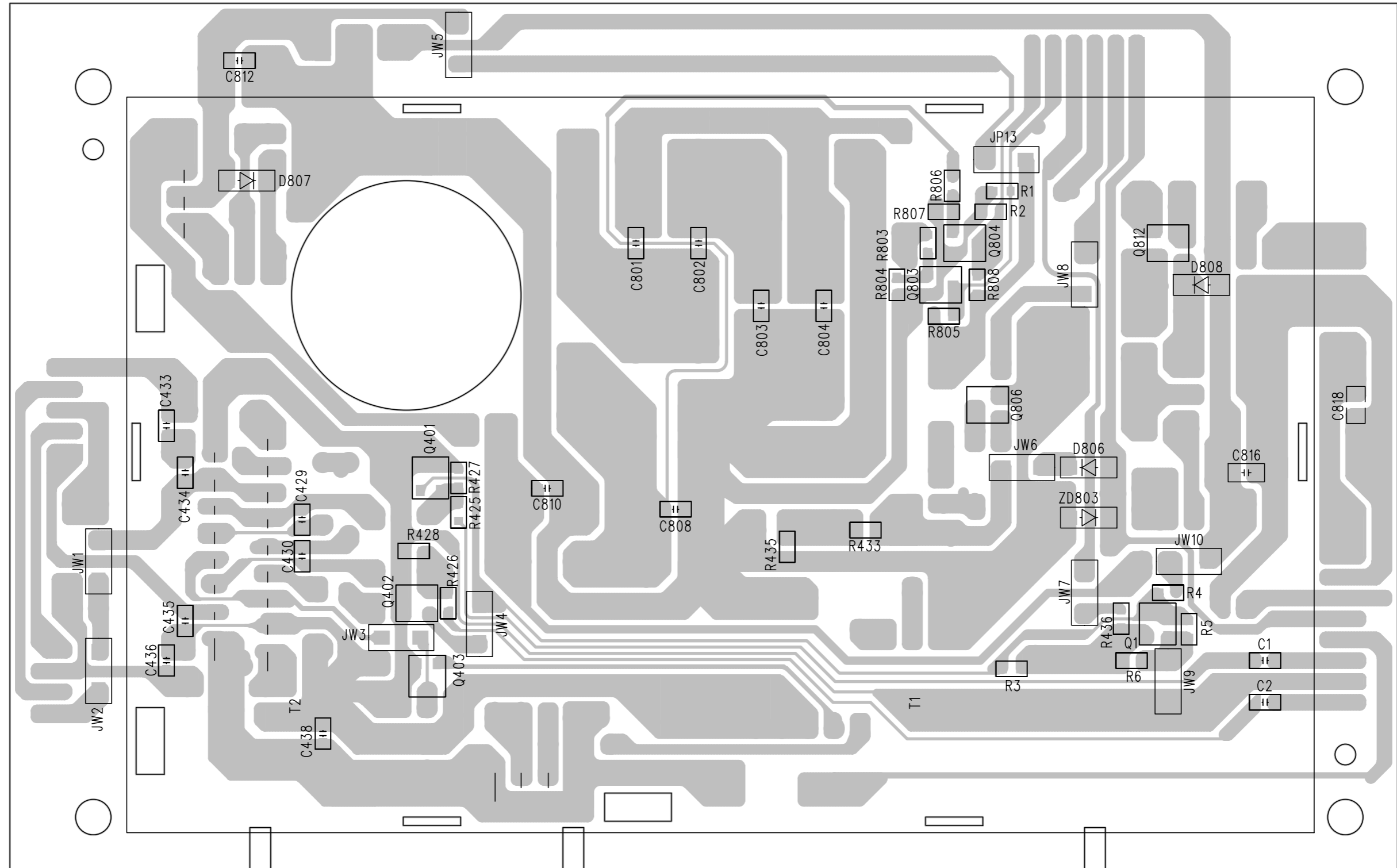
CIRCUIT DIAGRAM - AMP BOARD



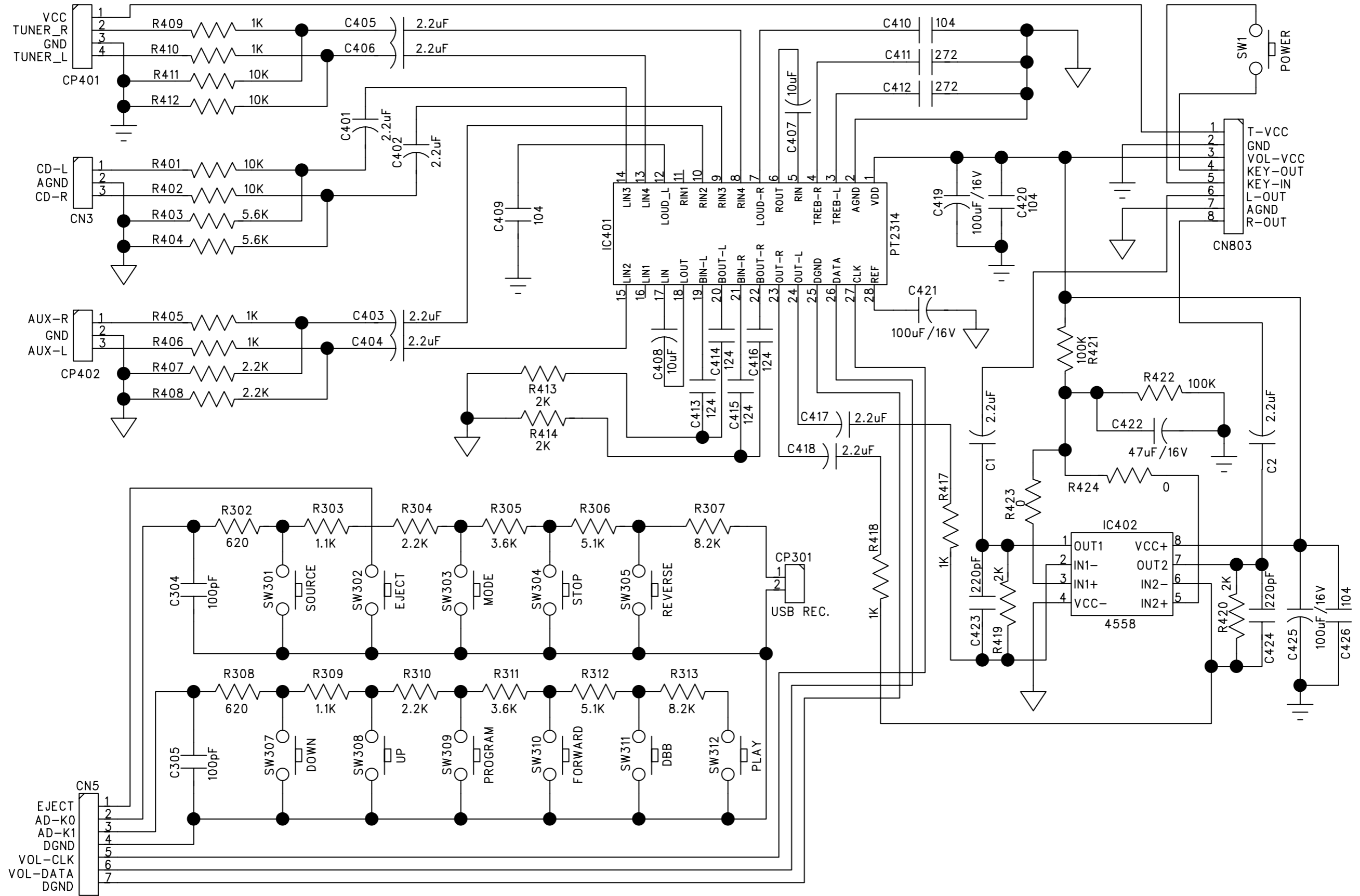
LAYOUT DIAGRAM - AMP BOARD



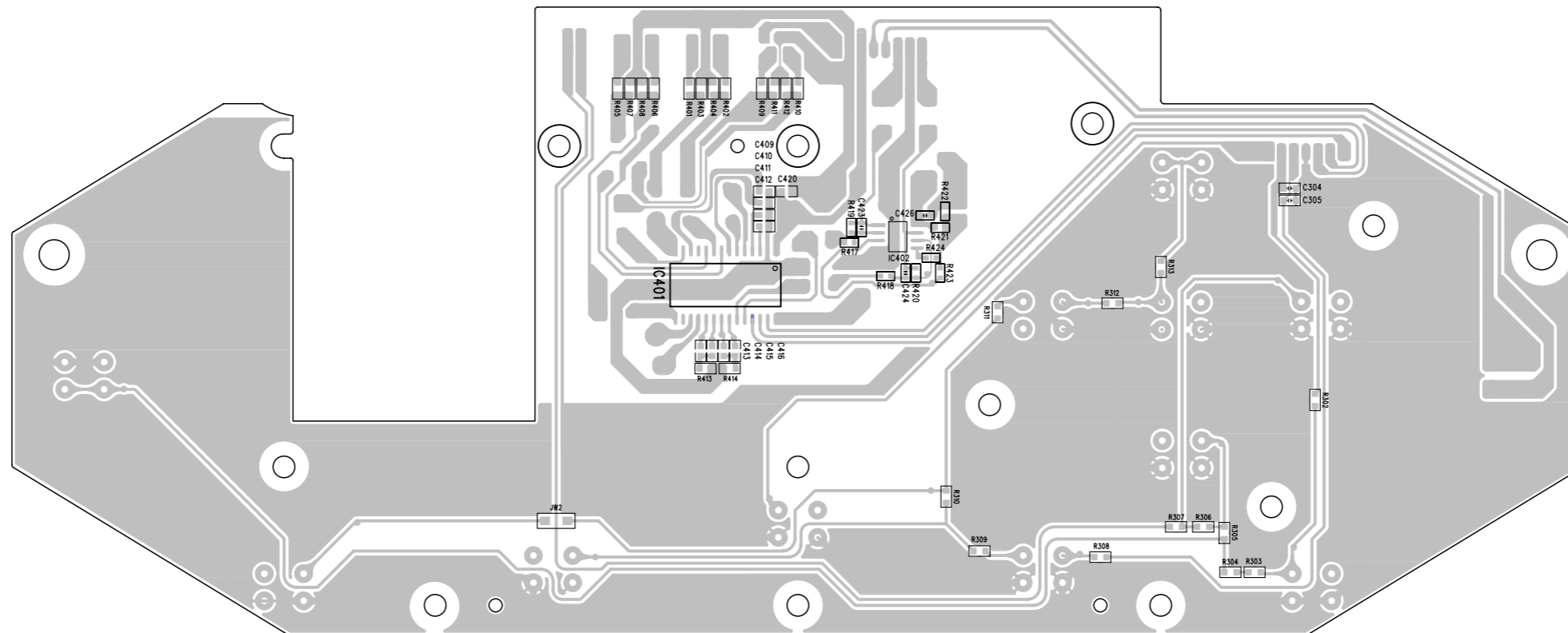
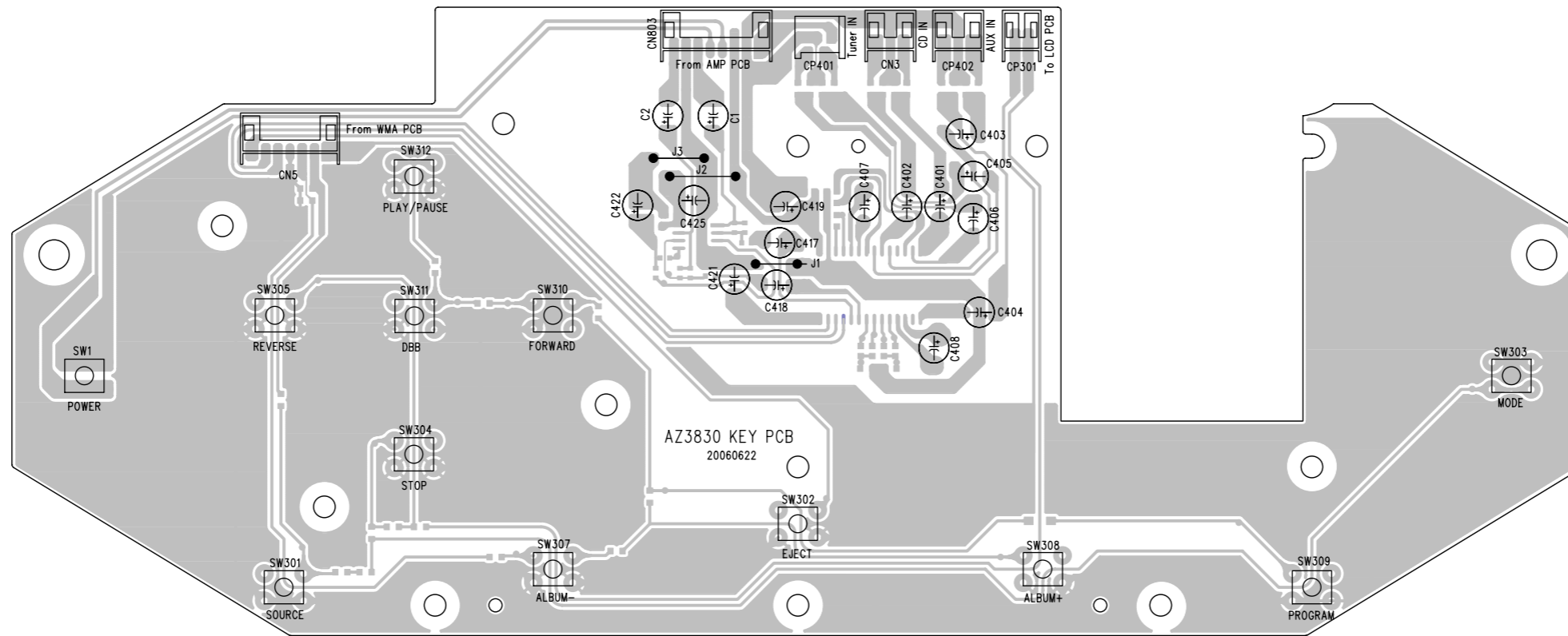
LAYOUT DIAGRAM - AMP BOARD



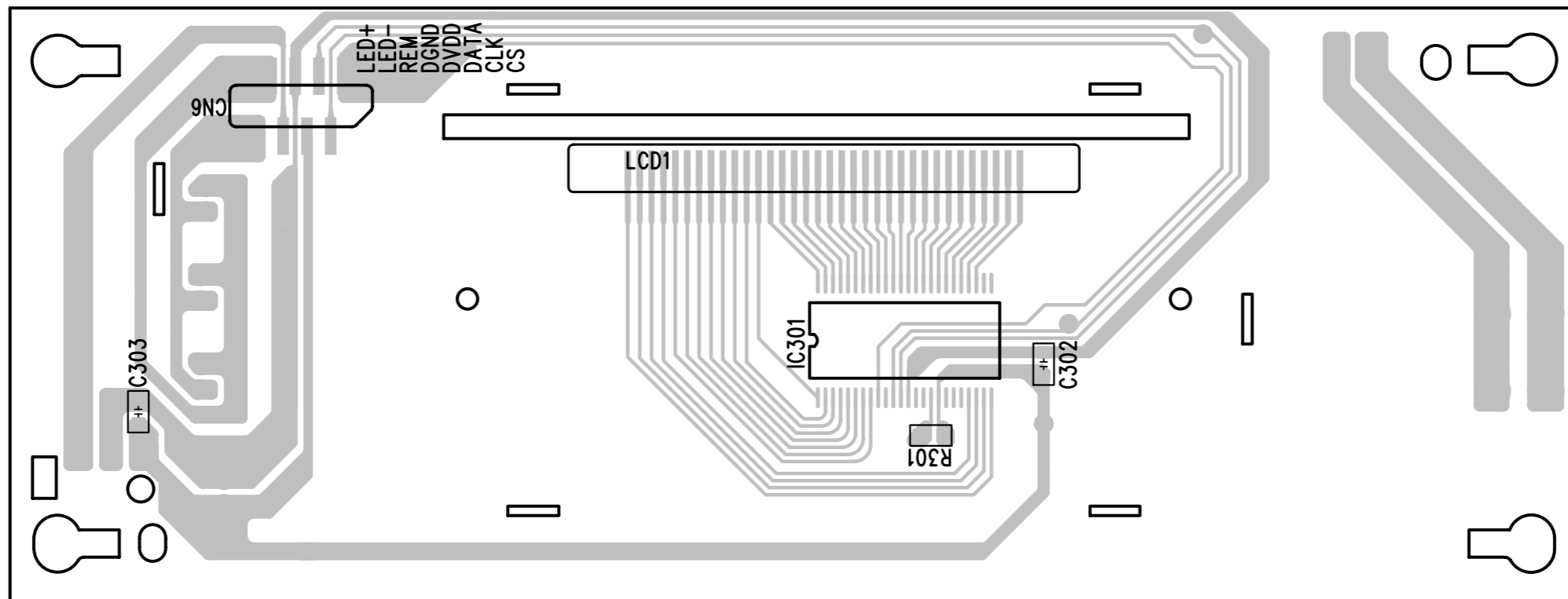
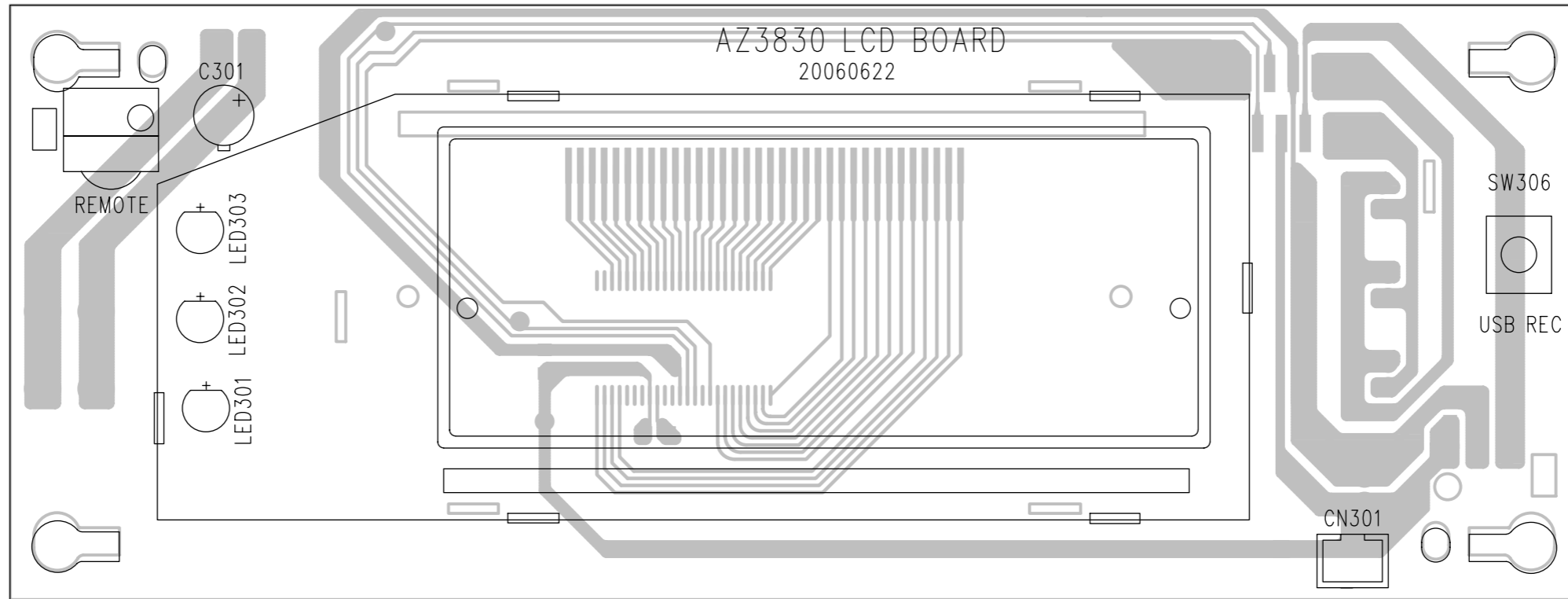
CIRCUIT DIAGRAM - KEY BOARD



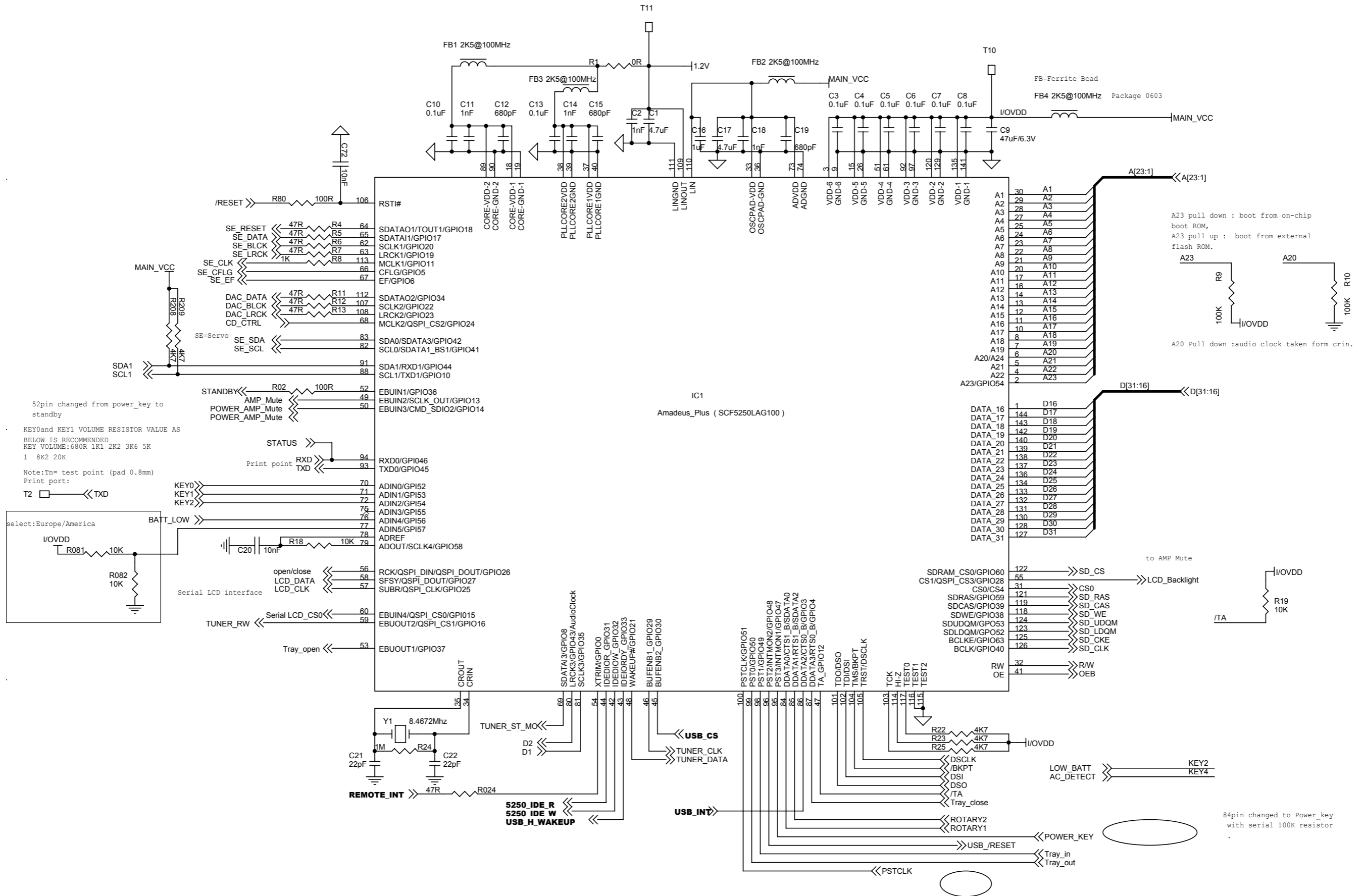
LAYOUT DIAGRAM - KEY BOARD



LAYOUT DIAGRAM - LCD BOARD



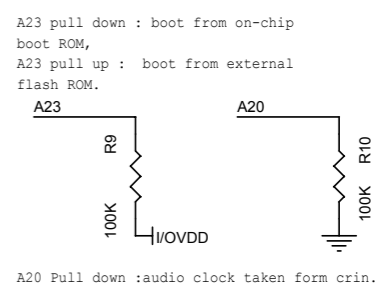
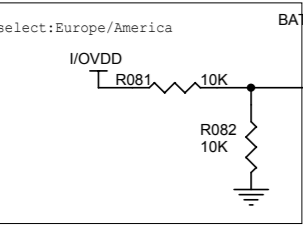
CIRCUIT DIAGRAM - WMA BOARD



52pin changed from power_key to standby

KEY0and KEY1 VOLUME RESISTOR VALUE AS BELOW IS RECOMMENDED
KEY VOLUME:680R 1K1 2K2 3K6 5K
1 8K2 20K

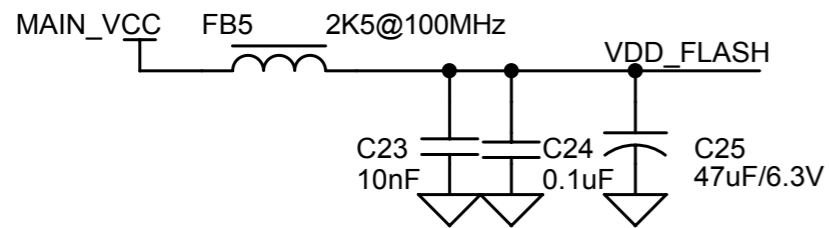
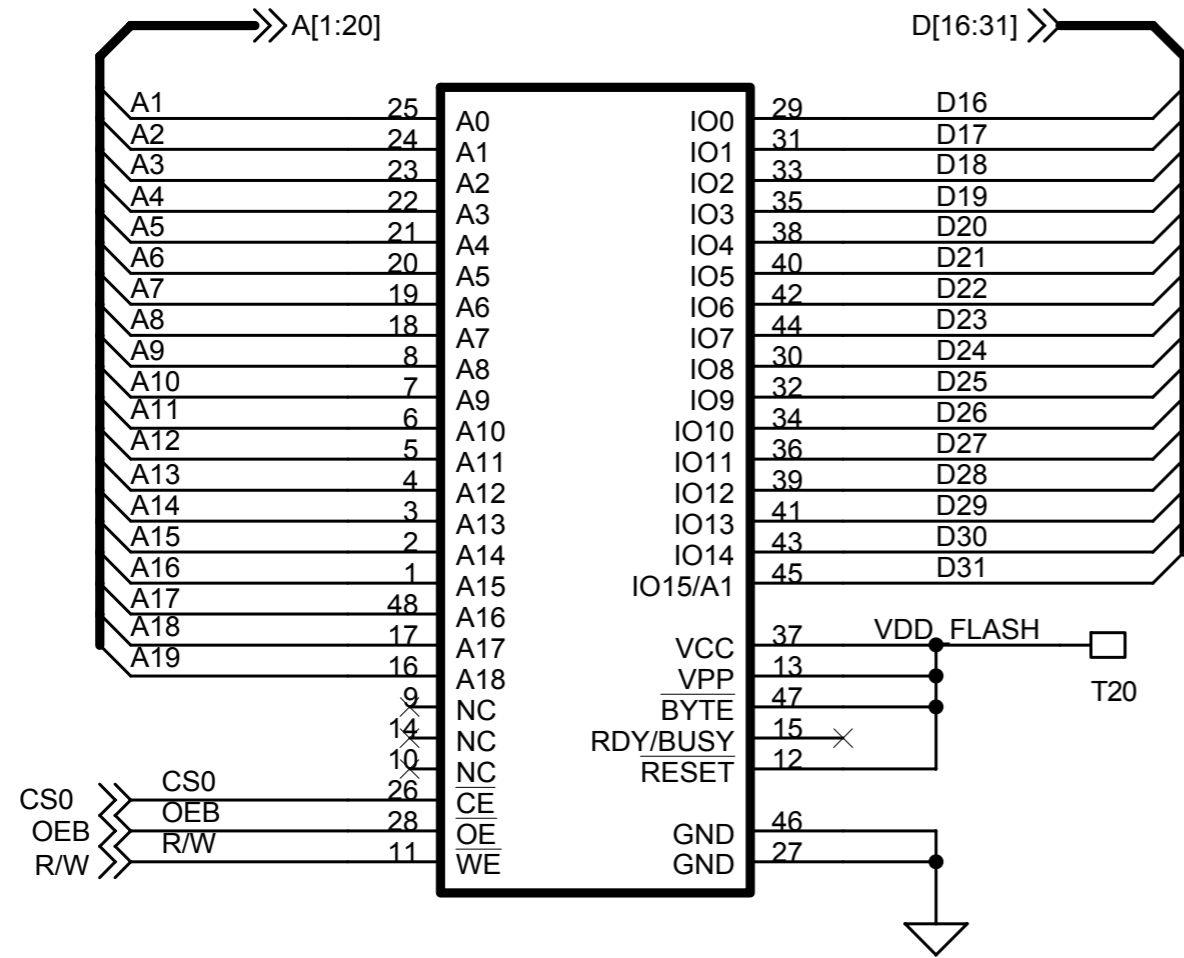
Note:Tn= test point (pad 0.8mm)
Print port:
T2 □ ← TXD



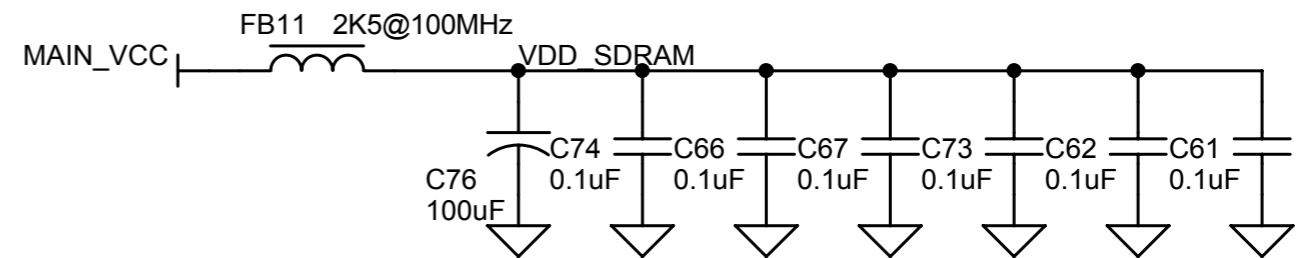
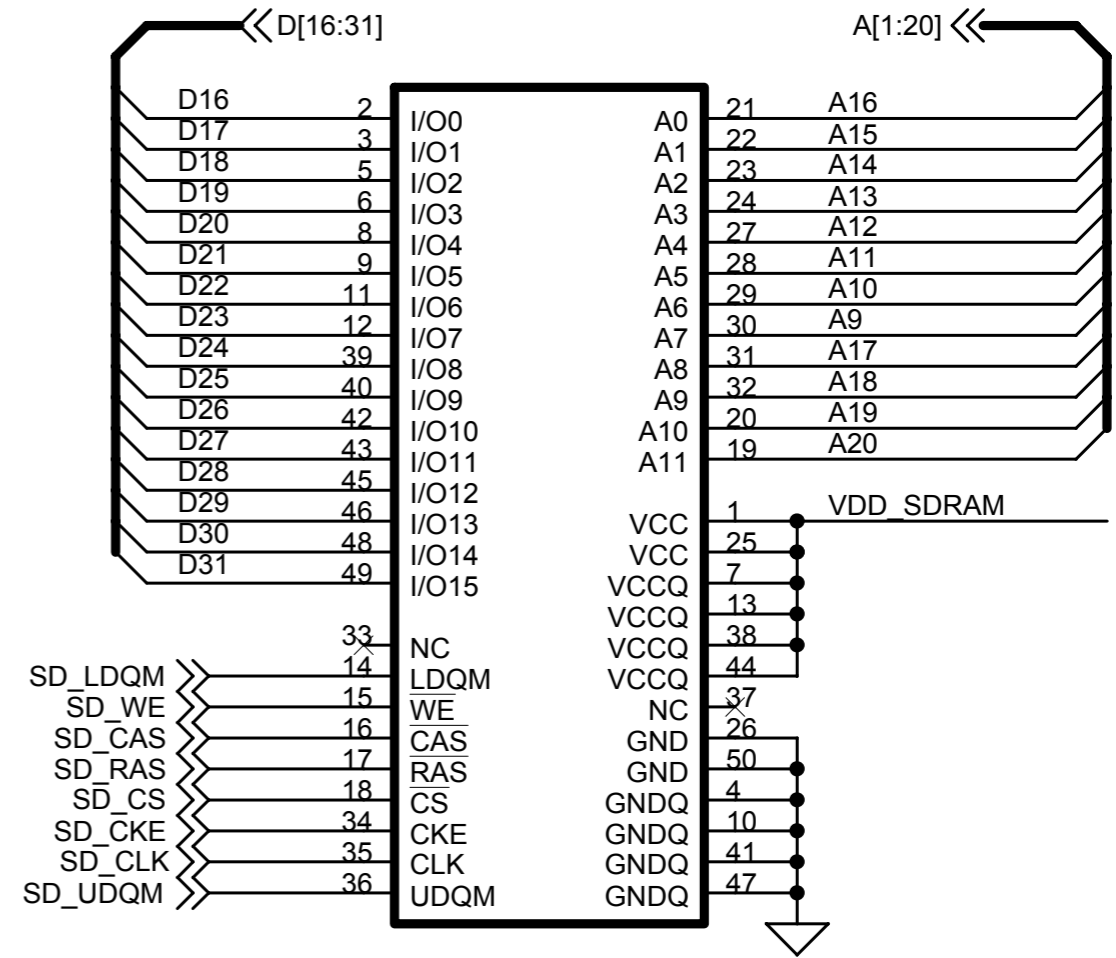
84pin changed to Power_key with serial 100K resistor

CIRCUIT DIAGRAM - WMA BOARD

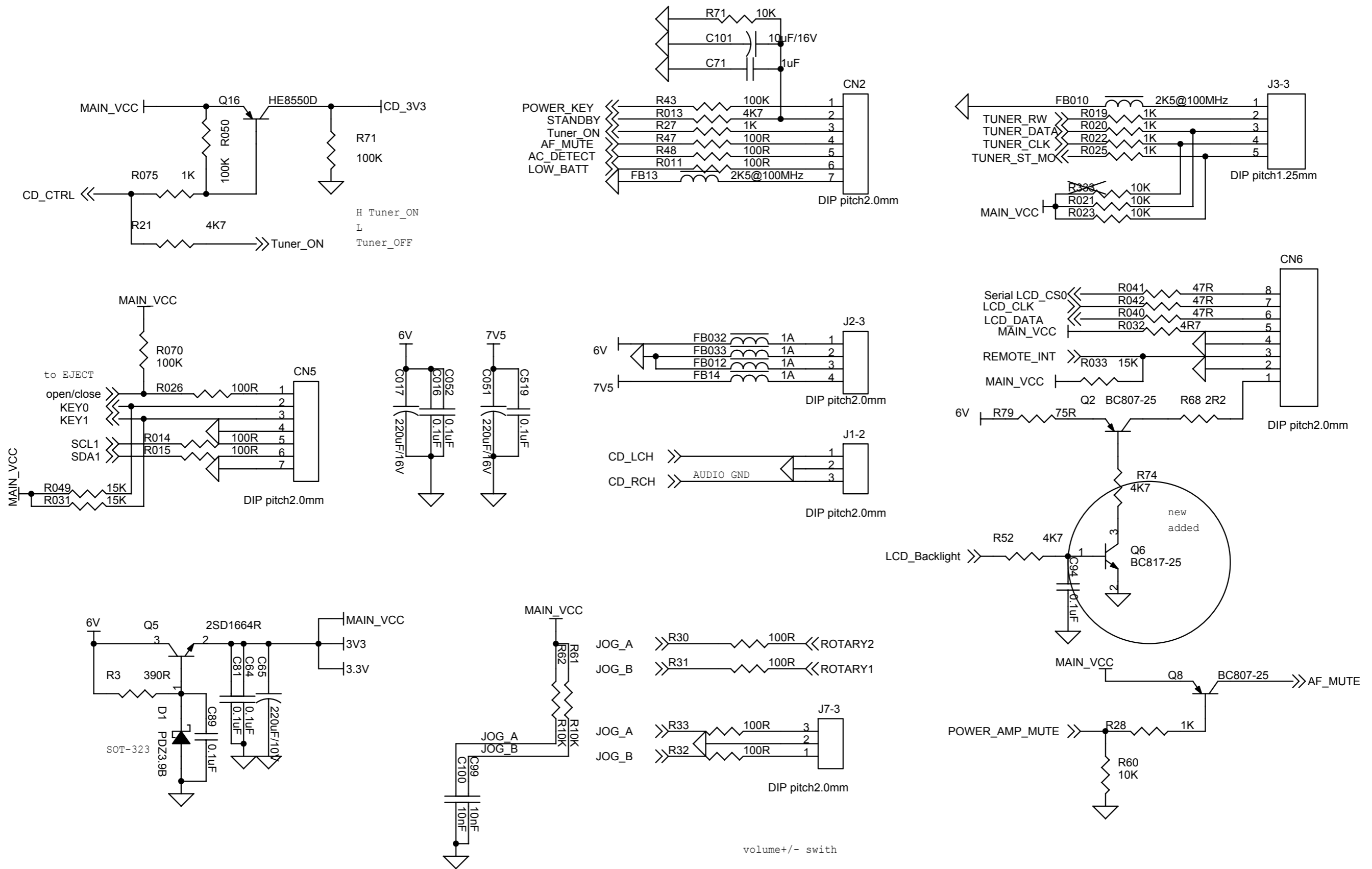
IC2 KH29LV800CTTC-70G(OPT41)



16M SDRAM IC8



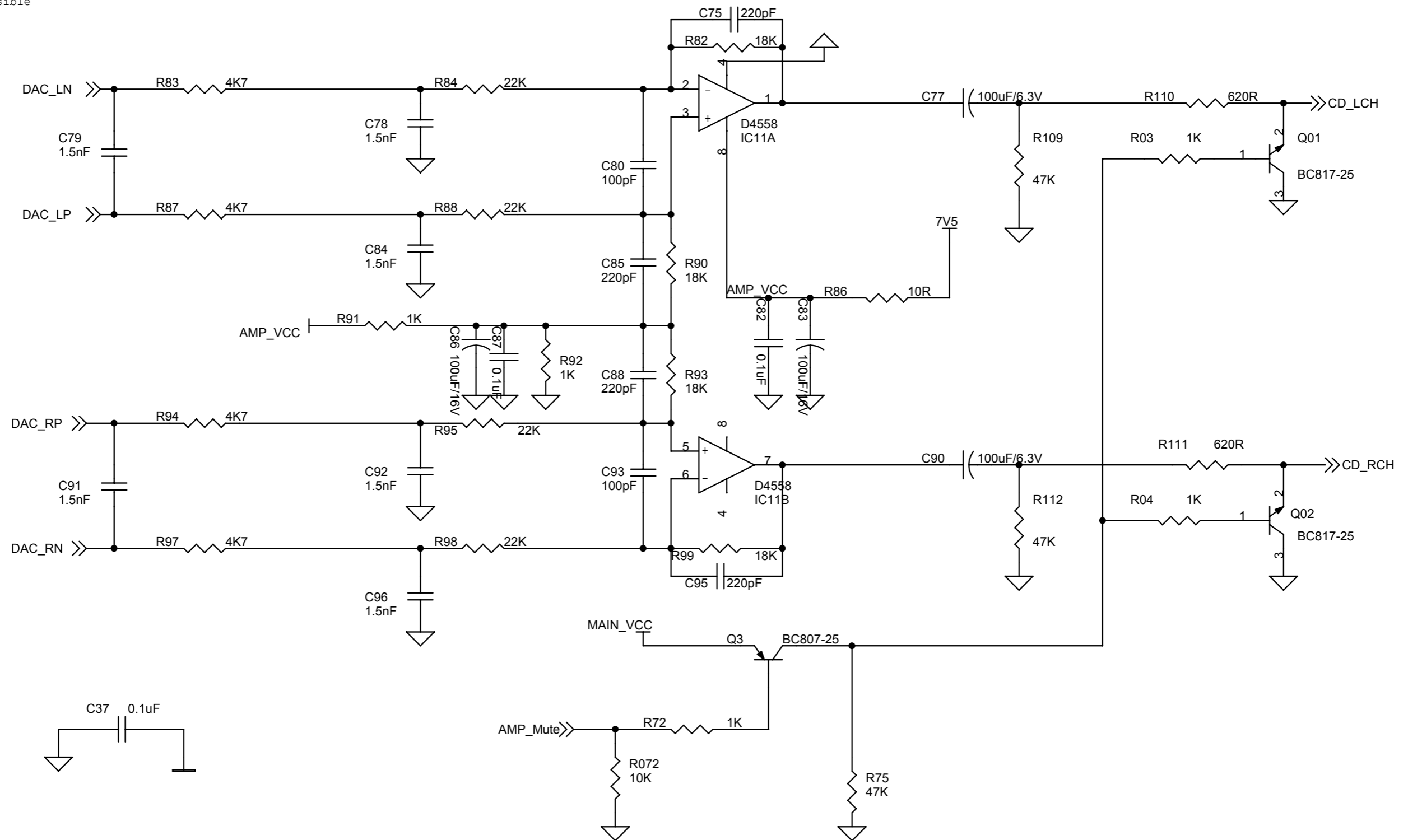
CIRCUIT DIAGRAM - WMA BOARD



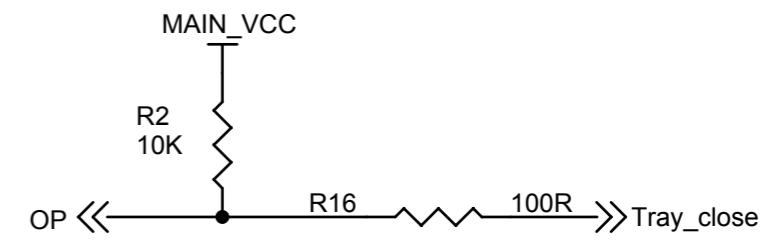
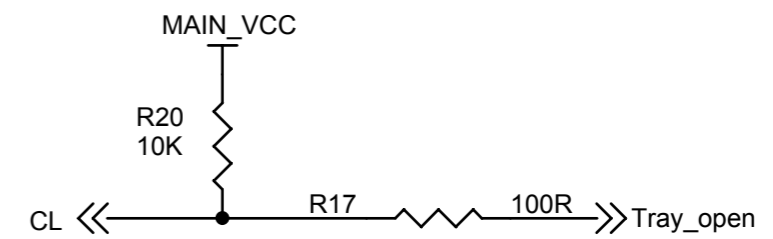
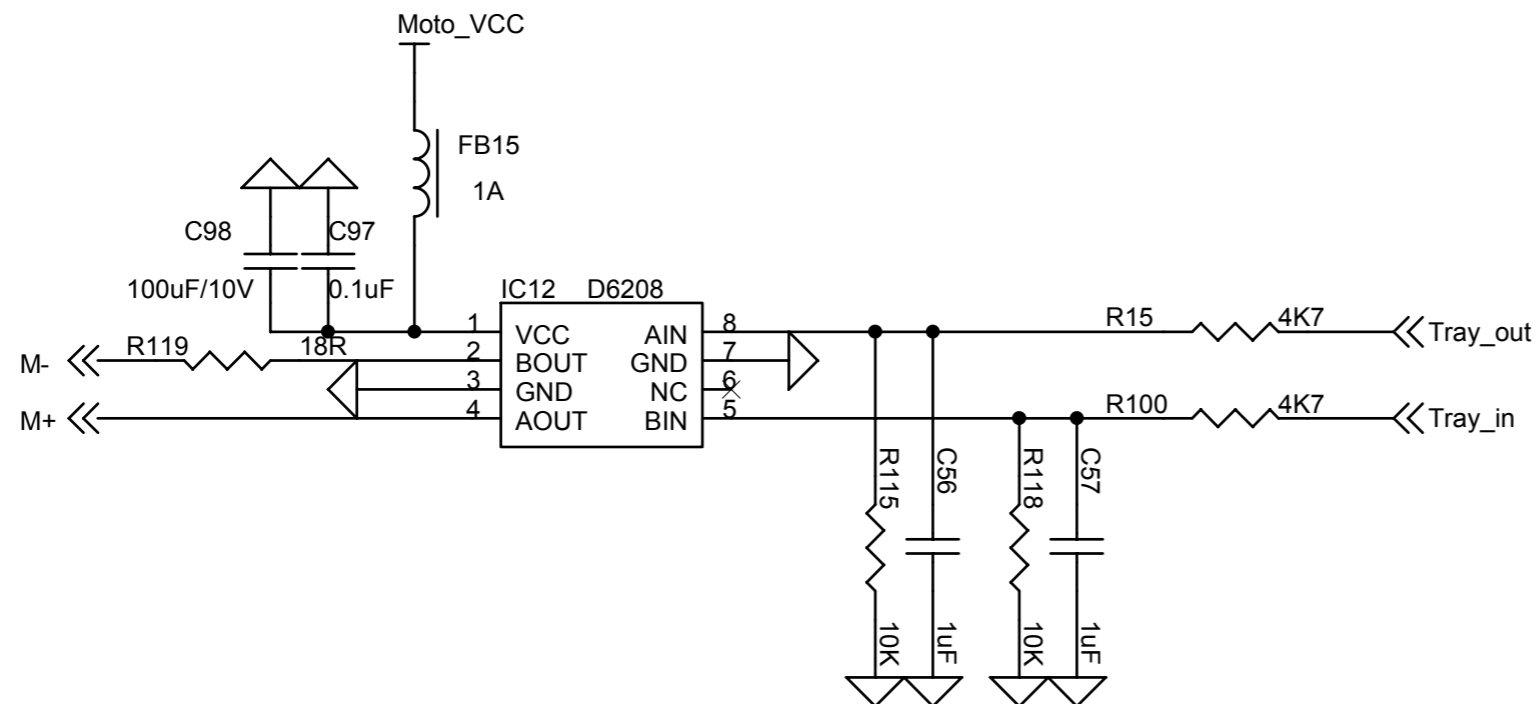
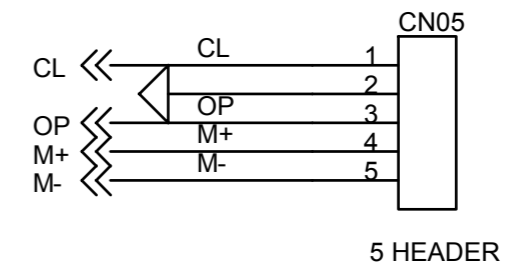
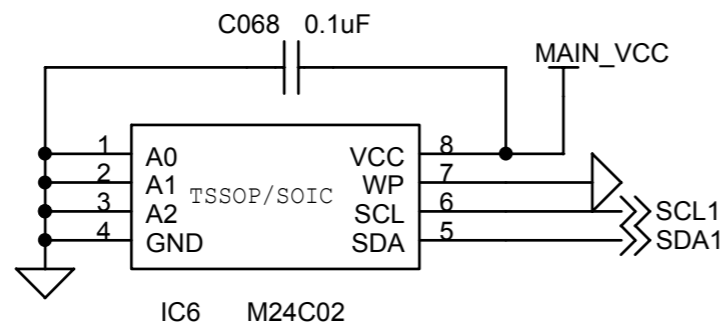
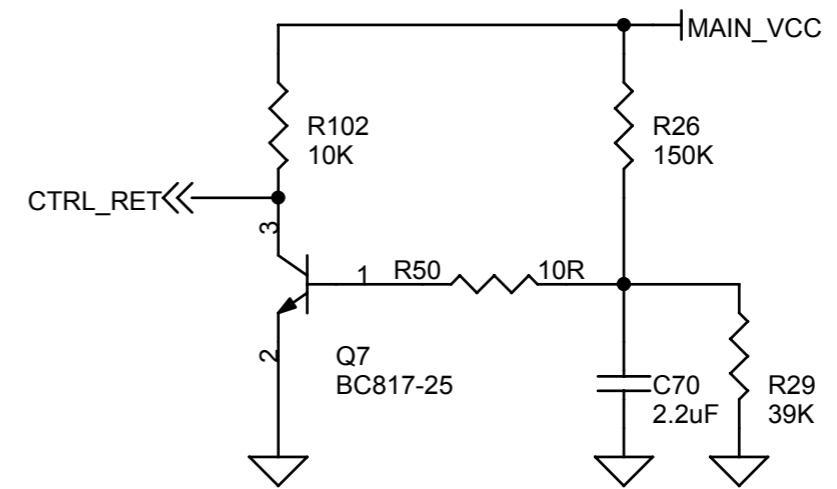
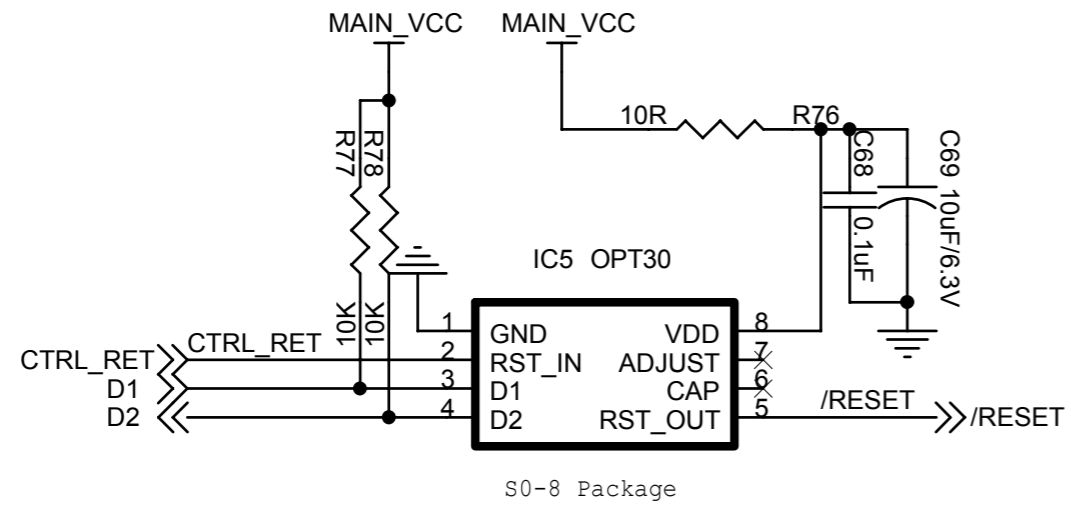
CIRCUIT DIAGRAM - WMA BOARD

AUDIO SECTION

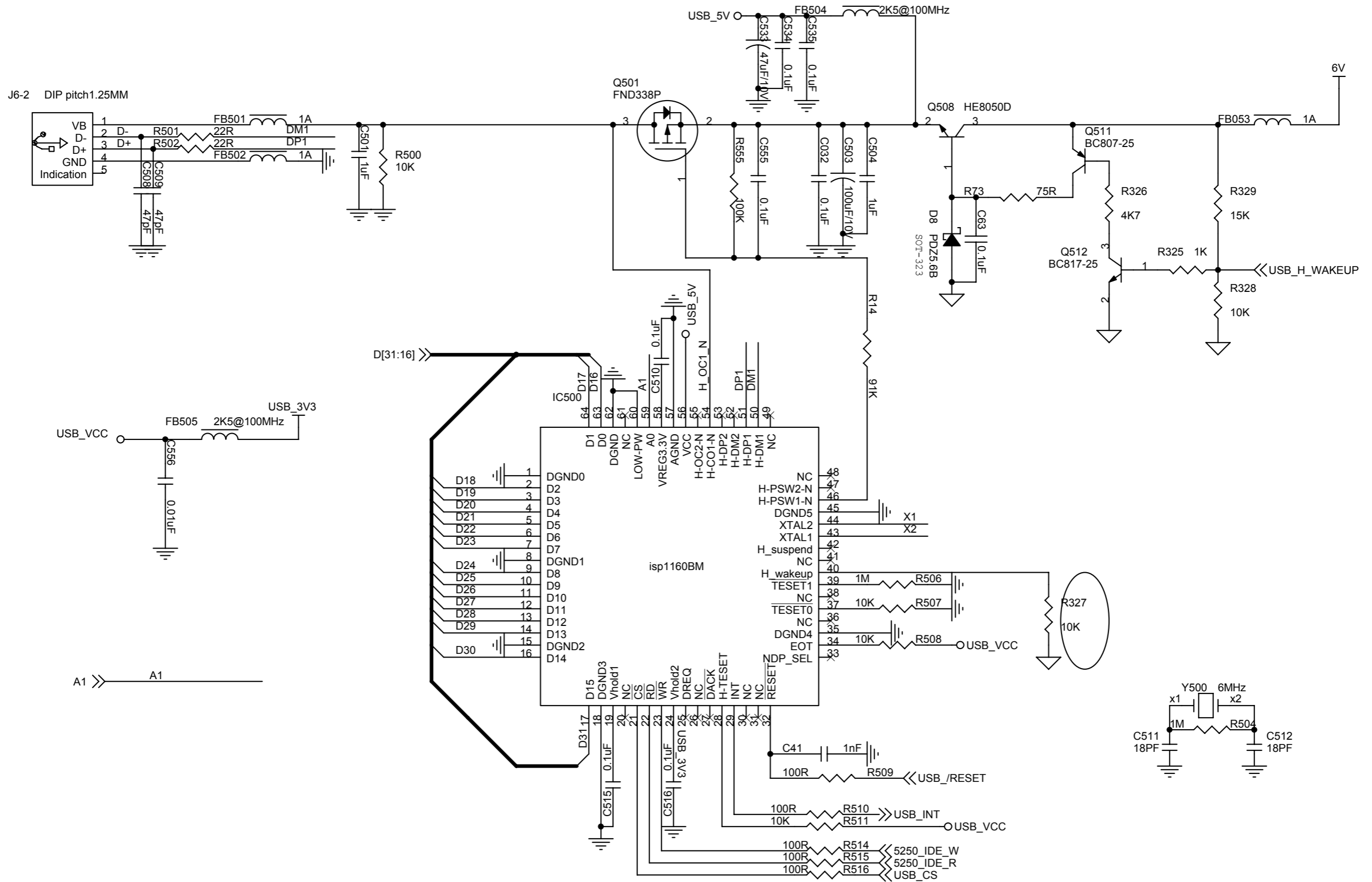
Notes:
The C79 ,C91 must be placed as near to the CD18 as possible



CIRCUIT DIAGRAM - WMA BOARD



CIRCUIT DIAGRAM - WMA BOARD



Service parts list

996510000868	CD DAMPER PINK COLOR 658F HARDNESS 40JIS
996500042070	BATTERY DOOR-INJ ABS
996510000869	HANDLE-INJ HIGH FLOW HIPS
996510000870	CD DOOR-INJ PMMA
994000005786	CD MECHANISM DA11VF (SANYO)
996510000871	CD TRAY LOADER
994000002364	ROD ANTENNA 2 SECTIONS
996510000872	SPEAKER 77MM 8OHM 6W
996510000873	SPEAKER 77MM 8OHM 6W
996510000874	VOLTAGE SELECTOR WS-12J01-GC7
996510000875	TRANSFORMER EI-57 120/230V
996510000876	5 FEET VDE APPRROVED POWER CORD
996500042071	REMOTE CONTROL FOR #AZ3830

Note: Only these parts mentioned in the list are normal service parts.